



Known for Reliability Since 1921

The BIRO MINI-22 Mixer Grinder makes it easier than ever to break away from the daily grind. Its 45lb. hopper capacity lets you grind only the amounts you need to keep the case full and still keep your grinds as fresh as possible. You can use the same grinder for all of your ground products without having to worry about cross-contamination because the MINI-22 is so easy to clean. It's simple to disassemble, and all of the pieces are light so you can just carry all of them to the sink, wash them up, and go to the next batch.

The 2HP auger motor gives you ample power to grind fresh ground meat, sausage, or poultry all day. The separate 1HP Mixer motor provides the versatility to perform any mixing or blending which is required prior to the grinding operation.

So break away from the daily grind and keep your ground meat as fresh as possible with the BIRO Model MINI-22.

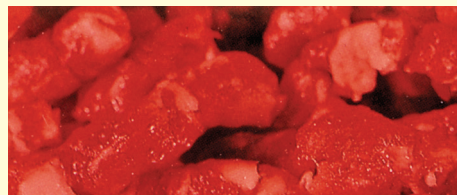


MINI-22
(Mini-Automatic Feed)

1/8" (3.5 mm)



3/8" (9.0 mm)



MINI-22

MODEL SPECIFICATIONS

Model: MINI-22 Mixer Grinder (Mini-Automatic Feed).

Construction: Stainless steel frame, enclosure, hopper, lid, bowl, ring and auger - Size 22.

Motors:

	HP	KW	TYPE	VOLTS	AMPS	CYCLE	PHASE
AUGER	2	1.5	TE	208-230	7.0-6.3	60	3
MIXER	1	.75	TE	208-230	3.9-3.5	60	3
AUGER	2	1.5	TE	208-240	18.4-16.0	50/60	1
MIXER	1	.75	TE	208-240	10.6-9.2	50/60	1

EC - EXTRA CHARGE TE - TOTALLY ENCLOSED

Switch: 3 phase, watertight magnetic with thermal overload and under voltage protection.

1 phase, Variable Frequency Drives (VFD) with overload protection. 50/60 Hz Frequency.

Power Cord: 10' 12 GA-4 strand cord with 4 prong twist lock 250 volt, 20A plug, 60Hz, 3Ph.

10' 10 GA-3 strand cord with 3 prong twist lock plug 30A, 1Ph.

Hopper Capacity: Up to 45 lbs. (20 kg).

Grinding Capacity: Up to 22 lbs. (10 kg) per minute
1/8"(3.5 mm) plate.

Drive System: Double-reduction, direct-drive gearmotor (both auger & mixer).

Safety: Interlock on lid.

Standard: No inlet (solid hopper), removable for easier cleaning, spurt guard, operating and safety manual, grinder stand with locking swivel casters.

Options (EC): Pneumatic footswitch, stainless steel casters, size 22 knives & plates.

Certification: ETL-(c/us), NSF.

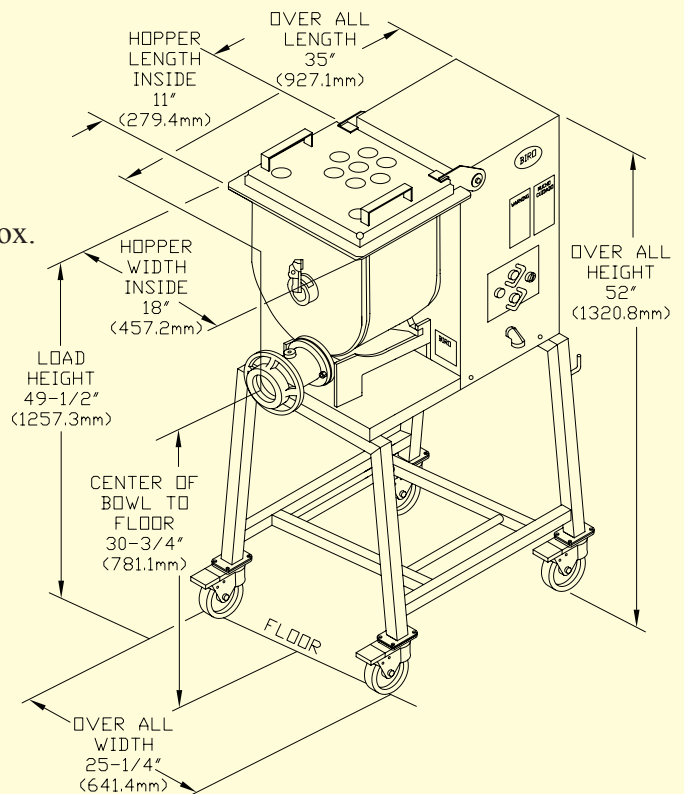
Weight: Uncrated 342 lbs. (155 kg) w/ grinder stand, approx.
Crated 433 lbs. (197 kg) with grinder stand, approx.

Dimensions: L= 35"(889mm), W= 25"(635mm),
H= 52"(1321mm).

Dimensions Crated: L= 40"(1016mm), W= 32"(813mm),
H= 58"(1473mm).



PADDLE SHOWN
INSTALLED IN HOPPER



BIRO MANUFACTURING COMPANY
1114 WEST MAIN STREET
MARBLEHEAD, OH 43440-2099 U.S.A.

Phone: (419) 798-4451 <http://www.birosaw.com>
Fax: (419) 798-9106 sales@birosaw.com

ITEM NO.: LIT-MINI-22-367

FORM NO.: Md MINI-22-367-7-14-3-B

All specifications contained herein are subject to change without notification.

Service is available from locations worldwide